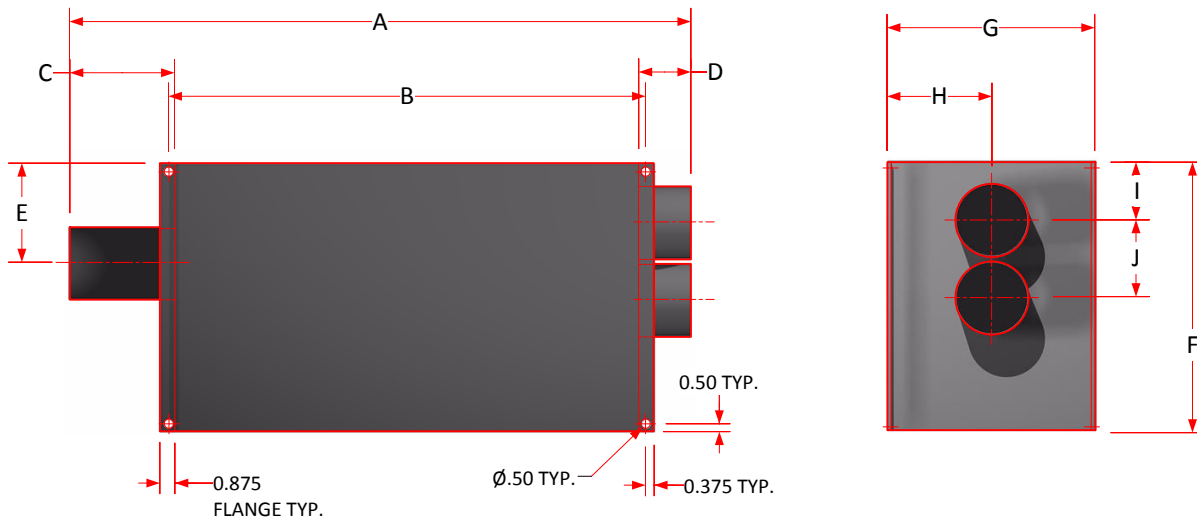
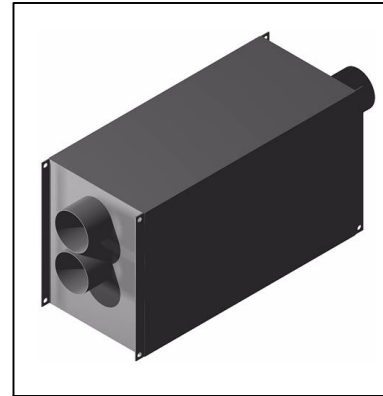


Dimensional Data

Colombo Global Network System

Diverter, 4" 2-Position GL
Part# 11655



power	120VAC 5amp
weight	77 lbs.

SIZE	PART NO.	A	B	C	D	E	F	G	H	I	J
4"	11655	34.00	26.00	5.86	3.00	5.25	14.75	11.25	5.62	3.13	7.50

Rev - 2.0
11-09-10



DISCLOSURE STATEMENT

This drawing and design are property of COLOMBO Sales & Engineering, Inc. and may not be disclosed to third parties without the expressed written permission of COLOMBO Sales & Engineering, Inc.

Colombo Sales and Engineering, Inc.

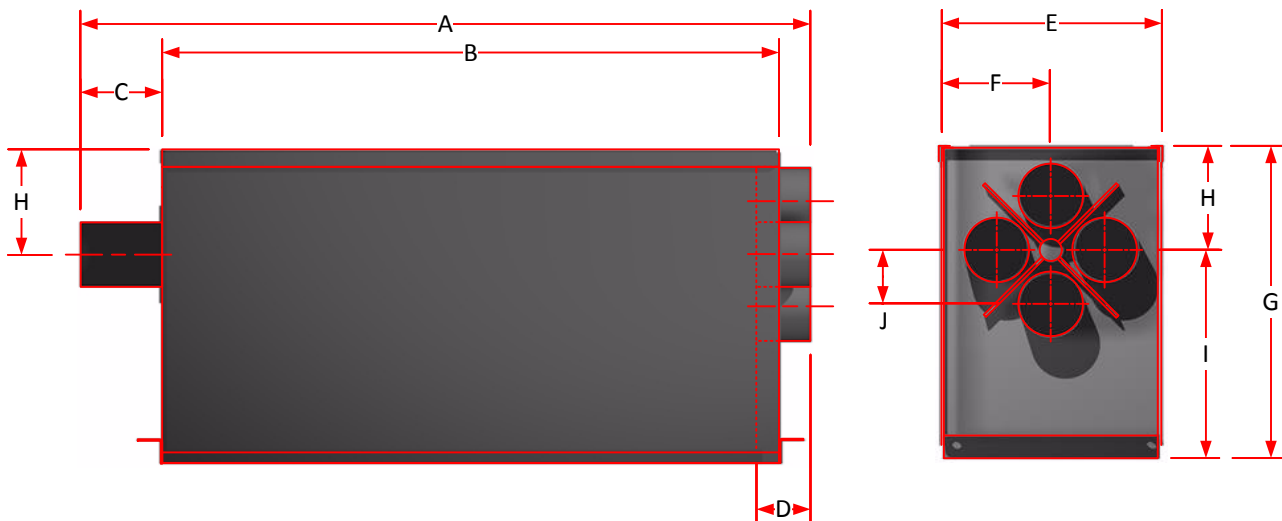
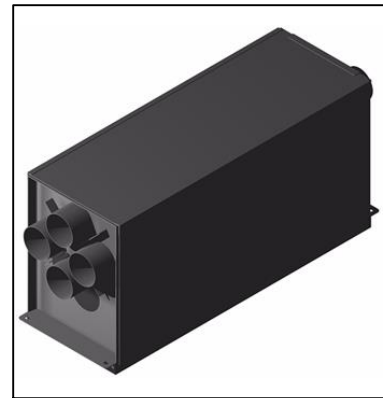
10421 Enterprise Dr. • Davisburg, MI 48350

Ph: 800.547.2820 • Fx: 248.546.7567

Dimensional Data

Colombo Global Network System

Diverter, 4" 4-Position GL
Part# 11410



<i>power</i>	120VAC 5amp
--------------	-------------

<i>weight</i>	120 lbs.
---------------	----------

SIZE	PART NO.	A	B	C	D	E	F	G	H	I	J (rad.)
4"	11410	44.88	38.00	5.00	3.00	13.75	6.89	19.25	6.50	12.85	3.38

Rev - 2.0
10-31-06



DISCLOSURE STATEMENT

This drawing and design are property of COLOMBO Sales & Engineering, Inc. and may not be disclosed to third parties without the expressed written permission of COLOMBO Sales & Engineering, Inc.

Colombo Sales and Engineering, Inc.

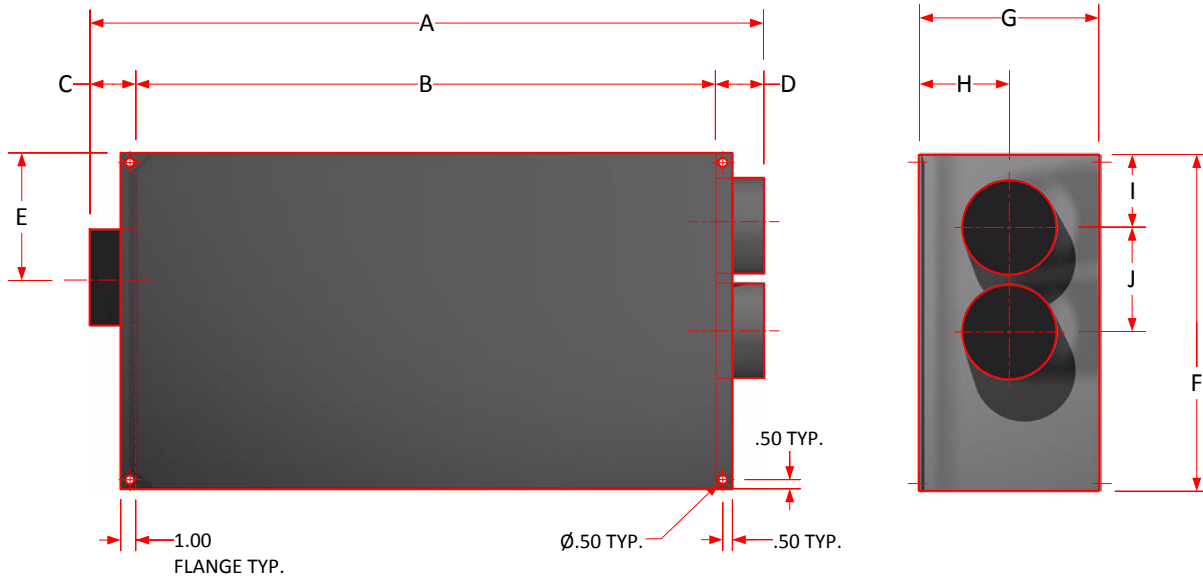
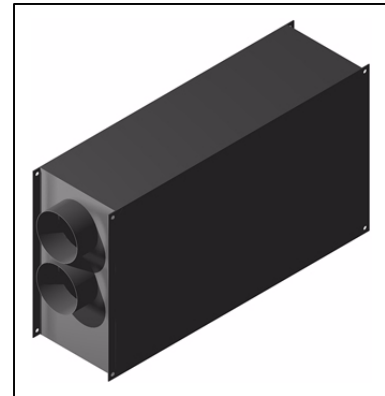
10421 Enterprise Dr. • Davisburg, MI 48350

Ph: 800.547.2820 • Fx: 248.546.7567

Dimensional Data

Colombo Global Network System

Diverter, 6" 2-Position GL
Part# 11656



power	120VAC 5amp
-------	-------------

weight	107 lbs.
--------	----------

SIZE	PART NO.	A	B	C	D	E	F	G	H	I	J
6"	11656	42.00	36.00	2.88	3.00	7.80	21.00	11.25	5.62	4.57	6.50

Rev - 2.0
08-24-10



DISCLOSURE STATEMENT

This drawing and design are property of COLOMBO Sales & Engineering, Inc. and may not be disclosed to third parties without the expressed written permission of COLOMBO Sales & Engineering, Inc.

Colombo Sales and Engineering, Inc.

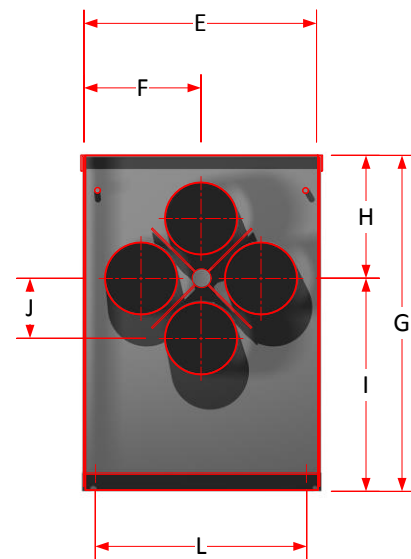
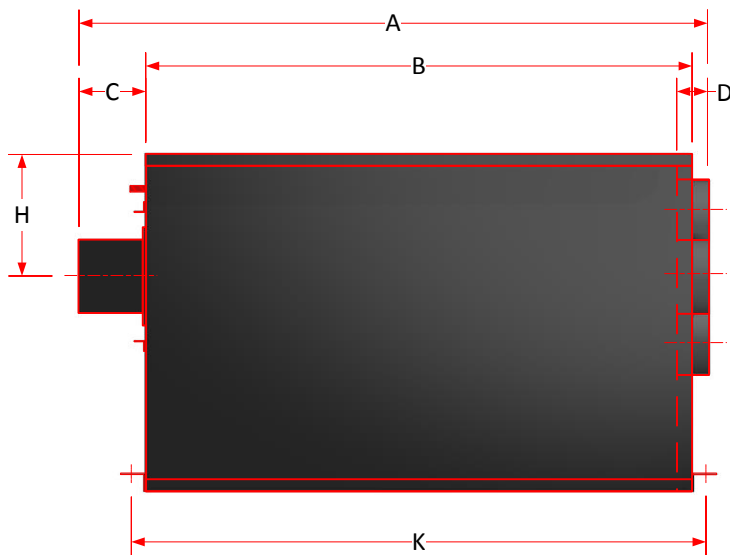
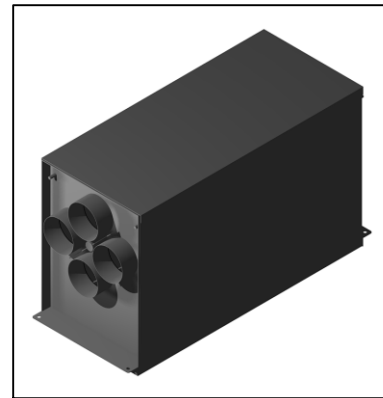
10421 Enterprise Dr. • Davisburg, MI 48350

Ph: 800.547.2820 • Fx: 248.546.7567

Dimensional Data

Colombo Global Network System

Diverter, 6" 4-Position GL
Part# 11657



power 120VAC 5amp

weight 205 lbs.

SIZE	PART NO.	A	B	C	D	E	F	G	H	I	J	K	L
6"	11657	51.25	44.50	5.25	3.00	19.75	9.88	27.50	10.00	17.50	4.88	47.00	18.00

Rev - 4.0
05-02-13



DISCLOSURE STATEMENT

This drawing and design are property of COLOMBO Sales & Engineering, Inc. and may not be disclosed to third parties without the expressed written permission of COLOMBO Sales & Engineering, Inc.

Colombo Sales and Engineering, Inc.

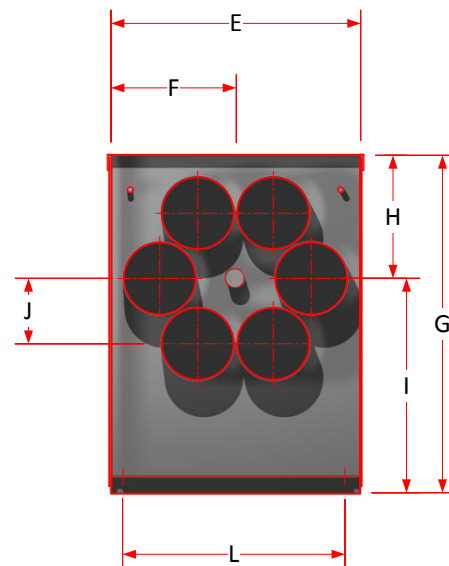
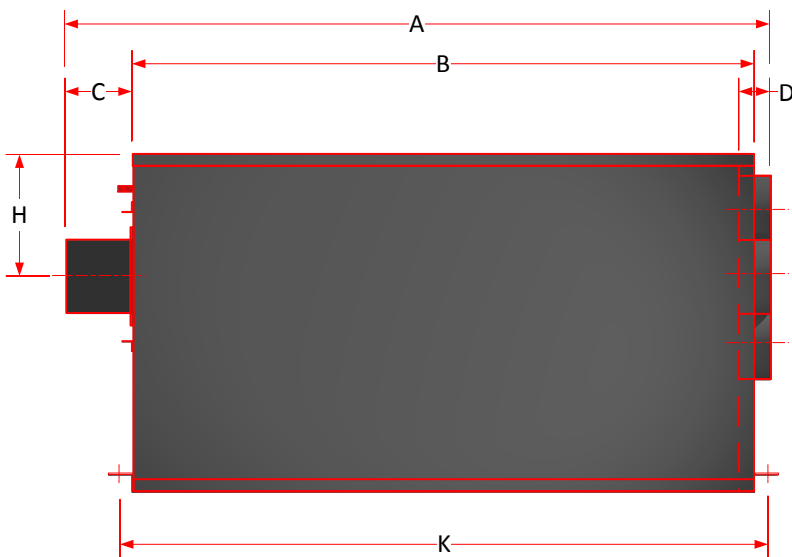
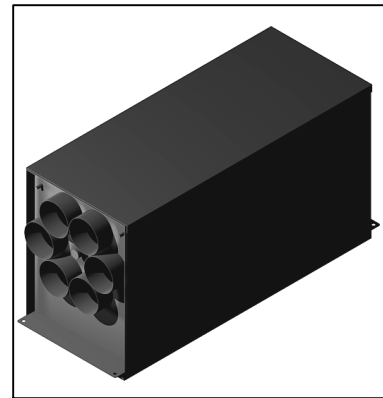
10421 Enterprise Dr. • Davisburg, MI 48350

Ph: 800.547.2820 • Fx: 248.546.7567

Dimensional Data

Colombo Global Network System

Diverter, 6" 4-Position GL
Part# 12523



power 120VAC 5amp

weight 275 lbs.

SIZE	PART NO.	A	B	C	D	E	F	G	H	I	J	K	L
6"	12523	57.25	50.50	5.25	3.00	20.60	10.30	27.50	10.00	17.50	5.30	53.00	18.75

Rev - 1.0
08-10-17



DISCLOSURE STATEMENT

This drawing and design are property of COLOMBO Sales & Engineering, Inc. and may not be disclosed to third parties without the expressed written permission of COLOMBO Sales & Engineering, Inc.

Colombo Sales and Engineering, Inc.

10421 Enterprise Dr. • Davisburg, MI 48350

Ph: 800.547.2820 • Fx: 248.546.7567